

## TECHNICAL PRODUCT INFORMATION

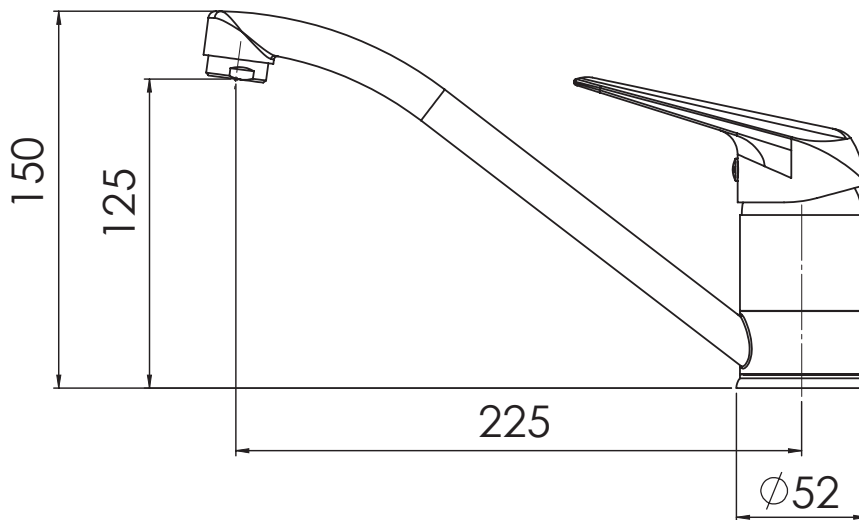
# REFLEX

## SINK MIXER

RSMC

### FEATURES & BENEFITS

- For all pressures (up to 1500kPa)
- 225mm reach
- 40mm quality European cartridge
- 360° swivel spout
- Designed in NZ
- Watermark certified
- 10 year warranty
- Lifetime extension warranty available



exclusive to  
**plumbingworld**

