

TECHNICAL PRODUCT INFORMATION

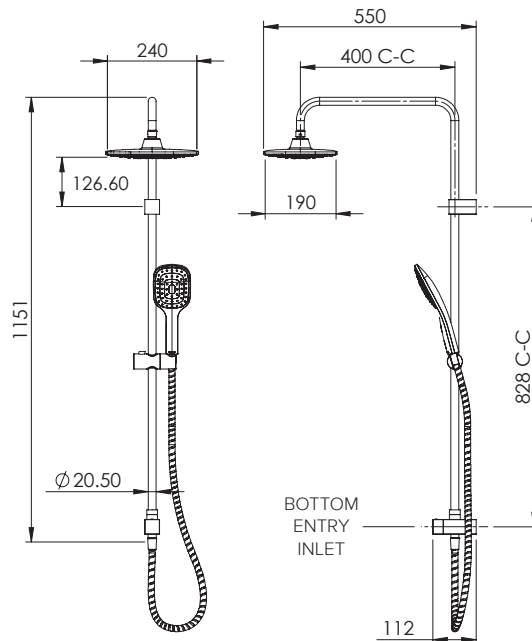
QUE

RAIN SHOWER COLUMN

QRSCC

FEATURES & BENEFITS

- Suitable for equal high (mains) pressure only
- 240 x 190mm rain head and single function handpiece (chrome/white)
- Brass shower column with brackets
- Bottom entry G1/2 BSP inlet
- Shower aperture: rain head: 81mm² | handpiece: 54mm²
- Built in diverter to switch between rain head and handpiece
- 1.5m small bore EN1113 rated hose
- Watermark certified
- 5 year warranty



RAIN HEAD



HANDPIECE