

TECHNICAL PRODUCT INFORMATION

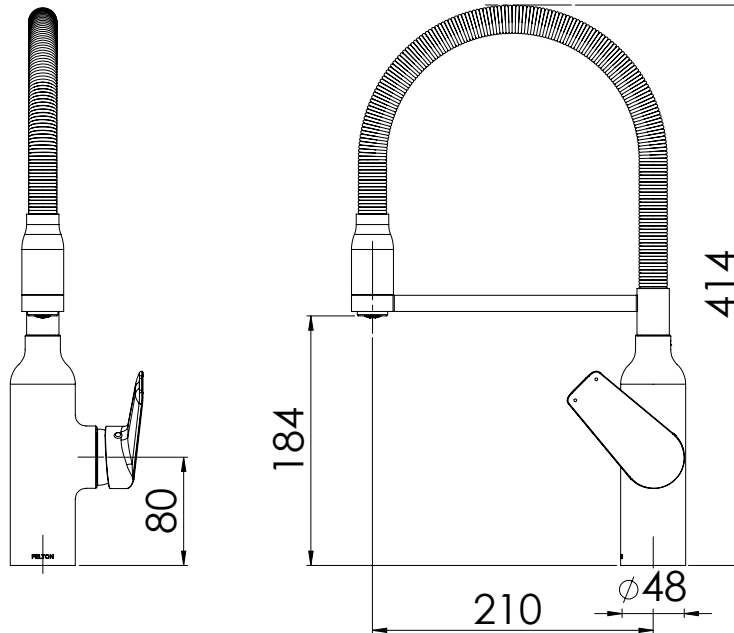
CORTO

SINK MIXER

CSMC

FEATURES & BENEFITS

- For all pressures (up to 1500kPa)
- Pull down spring action
- Single spray function
- 35mm quality European cartridge with anti-scald and flow limiter
- Handle stops in 90° position
- 360° swivel spout
- Designed in NZ
- Watermark certified
- **Not for commercial use**
- 10 year warranty & lifetime extension warranty available



EXCLUSIVE TO

