

TECHNICAL PRODUCT INFORMATION

AXISS

WALL MOUNTED BASIN/BATH MIXER

FEATURES & BENEFITS

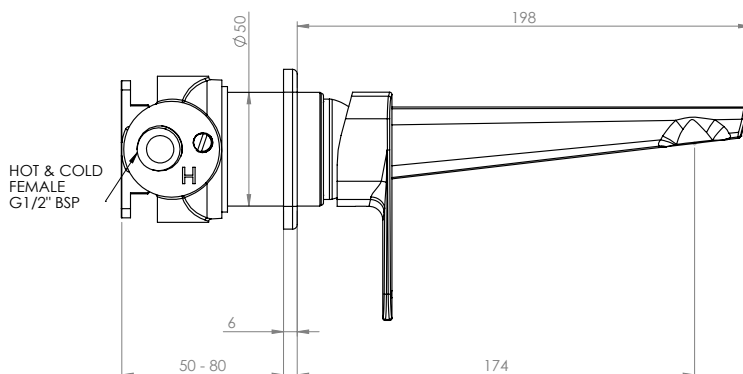
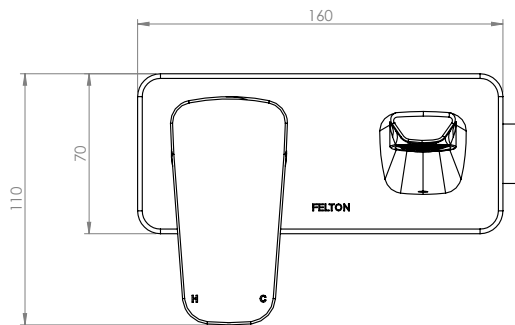
- For all pressures when installed as basin mixer
- For equal pressures only when installed as a bath mixer
- Available in chrome & PVD finishes
- 40mm quality European cartridge
- Designed in NZ
- Watermark certified
- 10 year warranty (T&C's apply)



Chrome | AXBFC



Black
AXBFB



WHEN INSTALLED AS BASIN MIXER