

# INSTALLATION GUIDE

FELTON

## TATE RAIN SHOWER COLUMN

### SYSTEM REQUIREMENTS

To ensure the optimum performance and customer satisfaction please adhere to the following:

- Flush out all pipe work prior to installation.
- Maximum hot water temperature is 60°C. If the water temperature exceeds 60°C an approved tempering valve must be fitted.
- Installation should comply with relevant local authority requirements.
- In accordance with good plumbing practice, filters should be fitted to supply lines to eliminate damage to the ceramic cartridge from suspended solids.
- AS/NZS 3500.1 states that pressures above 500kPa can cause damage from water hammer, reduce the life of appliances, taps & fittings, cause excessive noise in the system and recommend that a pressure limiting valve (PLV) be fitted.

#### MAXIMUM STATIC PRESSURE

Maximum static pressure 500kPa. If water pressure exceeds or is likely to exceed 500kPa, an approved pressure limiting valve must be fitted.

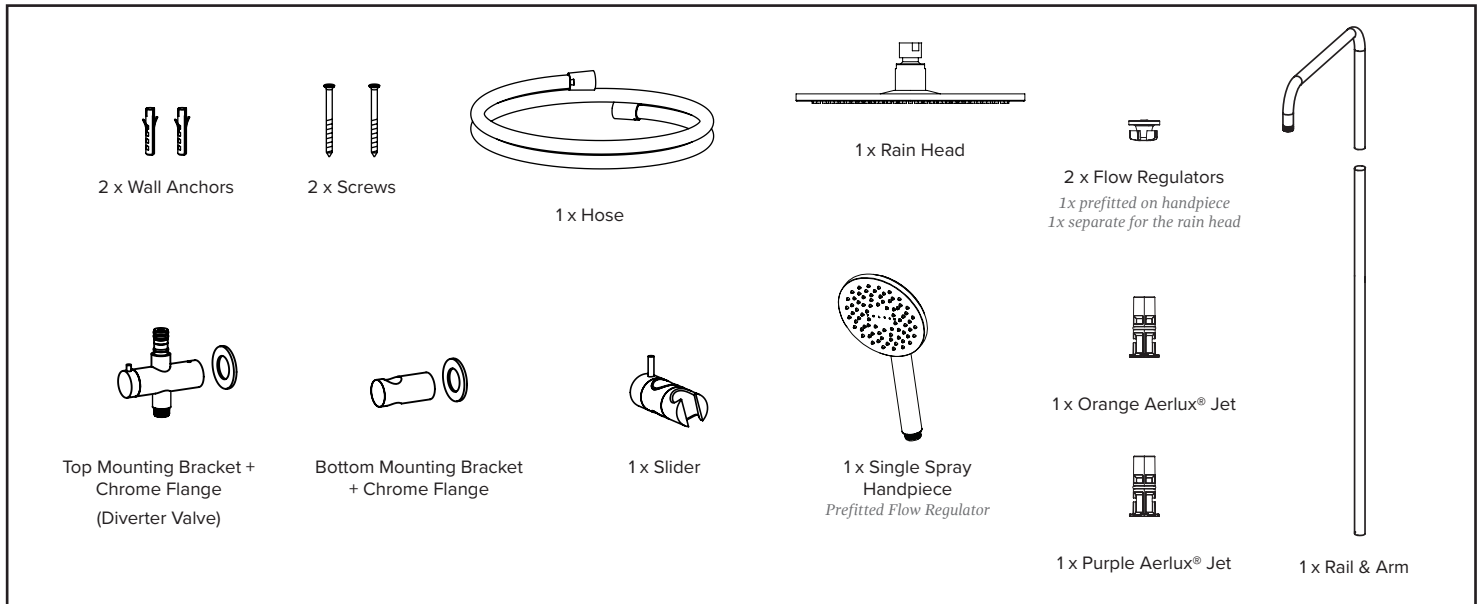
#### MINIMUM STATIC PRESSURE

Minimum static pressure 150kPa. To ensure optimal performance the static pressure must be greater or equal to 150kPa.



**Failure to comply with the above will void warranties.**

### WHAT IS IN THE PACK



### CHOOSING THE AERLUX® JET

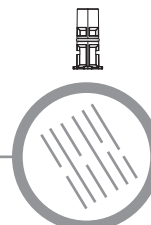
For a *softer shower*, install the Orange Aerlux® Jet (hose washer required)

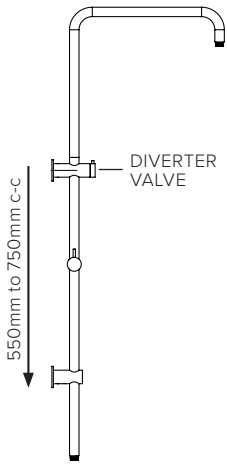


With the Flow Regulator fitted (hose washer removed)



For a *harder shower*, install the Purple Aerlux® Jet (hose washer required)





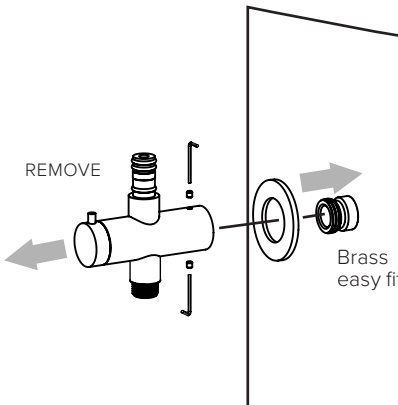
550mm to 750mm c-c

DIVERTER VALVE

Mark down vertical between 550mm and 750mm from centre of water outlet.  
**Warning:** Ensure no water pipe or power cable in wall at this location.  
**IMPORTANT:** The threaded water outlet must not protrude more than 10mm from wall face.

1. Apply thread seal tape to water outlet.

**TOP**

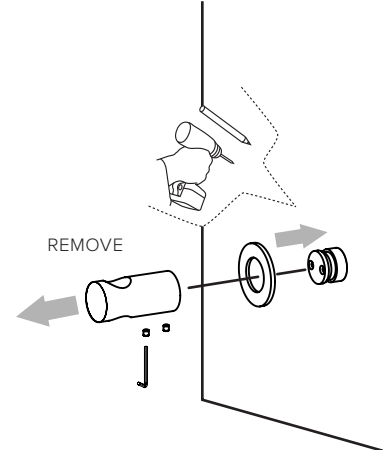


REMOVE

Brass easy fit

2. Loosen grub screws on body of diverter valve using a 2.5mm allen key. Withdraw the brass easy fit. Screw easy fit onto water outlet till it is flush against the wall face; slide chrome flange over the easy fit.

**BOTTOM**

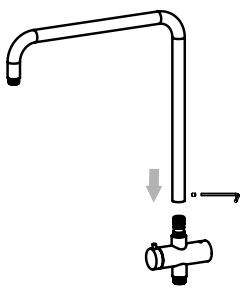


REMOVE

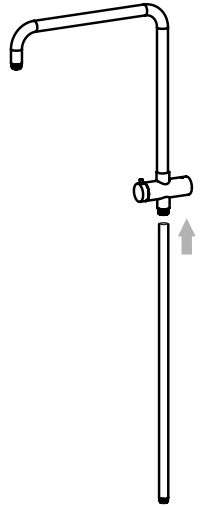
Loosen grub screws from the lower mounting bracket using a 2.5mm allen key and remove the easy fit. Mark and use screws to fasten easy fit into place, then slide chrome flange over.

*(If installing into concrete, use wall anchors provided. Squeeze to close each toggle and push in until flush with the wall).*

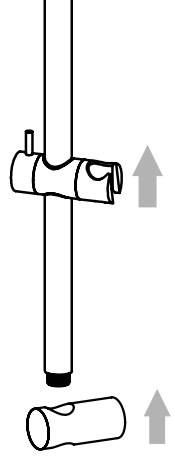
- 3.



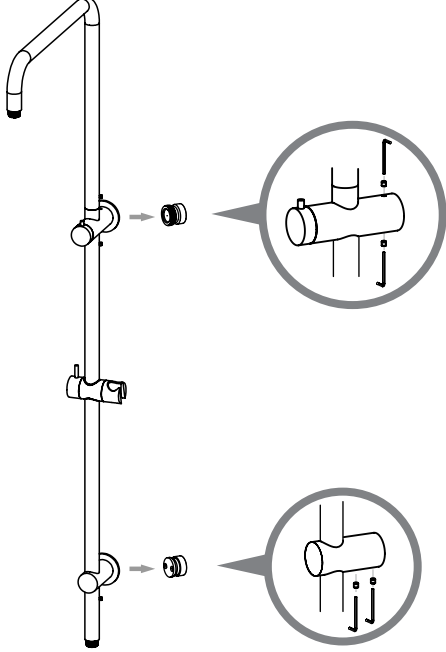
4. Fit overhead shower arm onto diverter valve and secure grub screw on shower arm into the white bushing using the 2.5mm allen key.



5. Screw bottom rail section onto diverter valve.

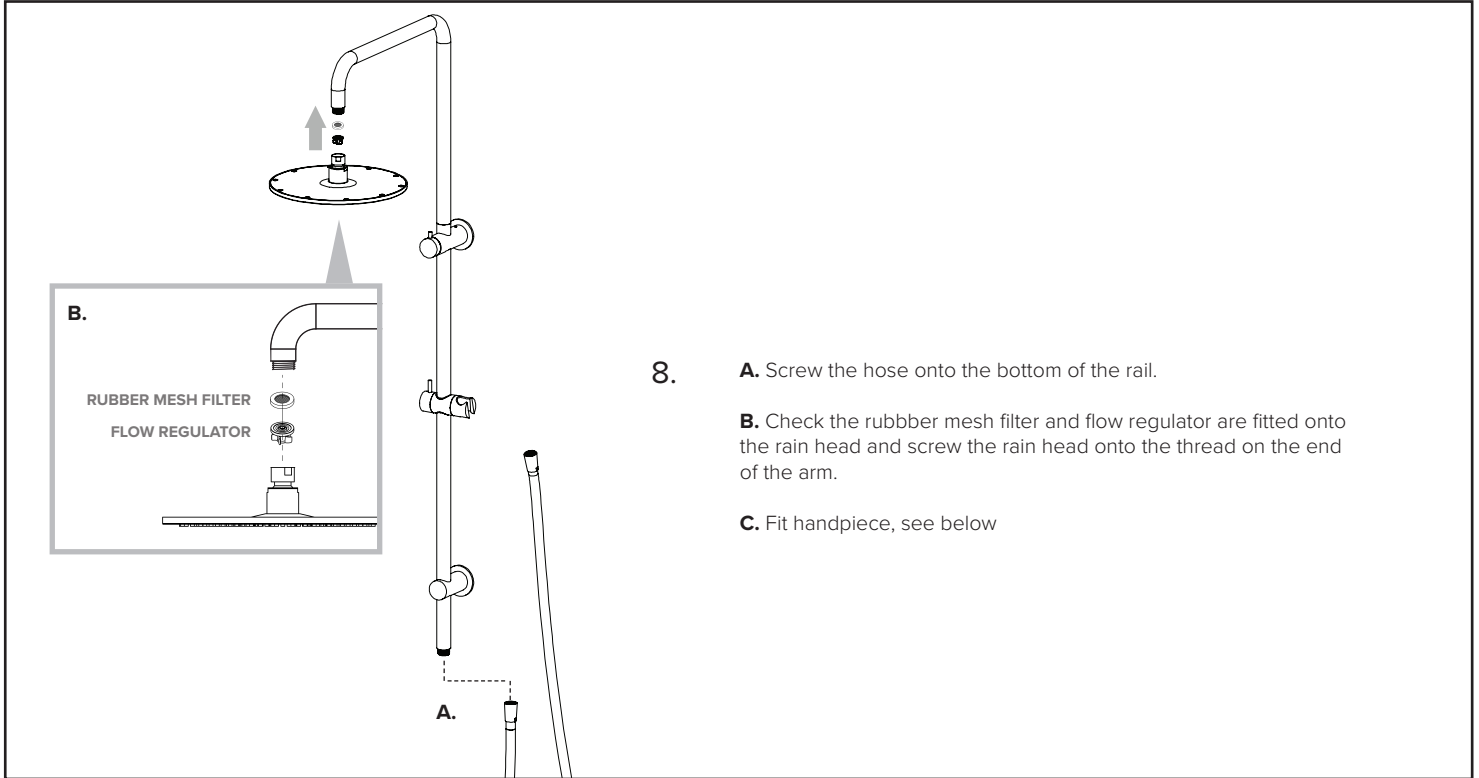


6. Fit slider first onto the rail and lock it halfway up. Then fit bottom mounting bracket onto the rail.



7. Fit the entire assembly onto wall by tightening the grub screws on the bottom and top mounting bracket using the 2.5mm allen key.

HOW TO INSTALL (CONTINUED)



8. **A.** Screw the hose onto the bottom of the rail.  
**B.** Check the rubber mesh filter and flow regulator are fitted onto the rain head and screw the rain head onto the thread on the end of the arm.  
**C.** Fit handpiece, see below

**Fitting the Flow Regulator**


1. Supply as is with the Flow Regulator prefitted and screw on the hose.

**Fitting the Aerlux® Jet**

1. Remove the prefitted Flow Regulator from the handpiece.  
 2. Select the Purple or Orange Aerlux® Jet and fit into the handpiece before screwing it onto the hose.

Warranty, Maintenance and Care YOUR COPY TO KEEP

Felton Industries Limited guarantees these products to be free from defects in materials and workmanship for a period of five (5) years from the date of purchase. Fair wear and tear is expressly excluded. This warranty is effective for 5 years from the date of purchase for the supply of replacement parts only, not including installation. You must retain proof of purchase of the product (such as an invoice or receipt) and provide this to Felton on request. This warranty is for manufacturing defects only and does not cover any damage to the product due to abuse, negligence or improper installation. This warranty is given on the understanding that the product is installed and operated according to Felton's installation guide and the Australian/New Zealand standard AS/NZS3500. This warranty is provided to persons who are a "consumer" under the Consumer Guarantees Act 1993 only and for use in domestic/residential dwellings only (not for commercial use).

 At no stage should any surface coatings be cleaned with cleaning agents that contain a corrosive acid or a scouring additive. Surface coatings should be cleaned with liquid detergent or soap and water. Any damage caused through the use of an unsuitable cleaner will not be covered by this warranty. This warranty is subject to any other rights or remedies that you may have under the Consumer Guarantees Act 1993 (or any other applicable legislation) and to Felton's Terms of Trade.

Please fill in the details below, attach your receipt to this installation guide and keep as your proof of purchase.

Purchased at: .....

Date of purchase: .....

Installed by: .....

For technical assistance please ring: 0800 743 358 or (09) 528 0810