

# INSTALLATION GUIDE

**ADESSO**

## SOL WALL MOUNTED SWIVEL BASIN / BATH MIXER

### SYSTEM REQUIREMENTS

	MINIMUM	MAXIMUM
Equal High (MAINS) Operating Pressures	150kPa	500kPa
Operating Hot Water Temperatures	50° C	60° C
Operating Cold Water Temperatures	5° C	N/A

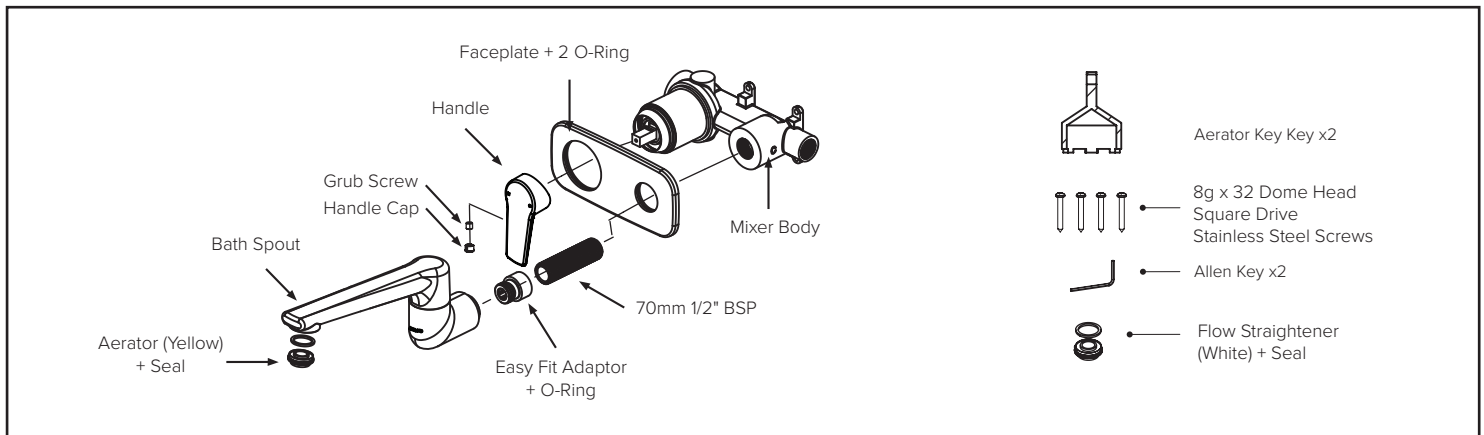
- ⚠ This mixer can be line tested up to 1500kPa (217.6psi)
- ⚠ Mixer must be in a closed position for line testing.
- ⚠ This mixer is recommended for Equal High (Mains) pressure water supply only.

To ensure the optimum performance and customer satisfaction please adhere to the following:

- Flush out all pipe work prior to installation.
- Minimum flow pressure for satisfactory operation: (Hot and Cold) 150kPa
- Maximum static water pressure: 500kPa. If the water pressure exceeds or is likely to exceed 500kPa, an approved pressure limiting valve must be fitted.
- Maximum hot water temperature: 60°C. If the water temperature is likely to exceed 60°C, an approved tempering valve must be fitted.
- Installation should comply with relevant local authority requirements.
- In accordance with good plumbing practice, filters should be fitted to supply lines to eliminate damage to the ceramic cartridge from suspended solids.
- AS/NZS 3500.1 states that pressures above 500kPa can cause damage from water hammer, reduce the life of appliances, taps & fittings, cause excessive noise in the system and recommend that a pressure limiting valve (PLV) be fitted.

⚠ Failure to comply with the above will void all warranties.

### WHAT IS IN THE PACK



### IF YOU ARE INSTALLING AS A BATH MIXER...

Install product as supplied.

### IF YOU ARE INSTALLING AS A BASIN MIXER...

Remove aerator (white) from bath spout and replace with aerator (yellow) supplied in box.

HOW TO INSTALL

<p><b>FIG 1.</b></p> <p>1/2" BSP Nipple (Not Included)</p> <p>HOT SUPPLY ONLY</p> <p>COLD SUPPLY ONLY</p> <p>1.</p>	<p><b>FIG 2.</b></p> <p>Cut a hole Ø55-60mm</p> <p>Cut a hole Ø30-35mm</p> <p>85mm Center to center</p> <p>MIN 65mm</p> <p>MAX 75mm</p> <p>2.</p>	<p>3.</p> <p>Ensure the wingback when fitted is parallel and square to the finished wall lining as shown (fig 3).</p> <p>90°</p> <p>PARALLEL</p> <p>DIVERTER ENGINE</p> <p>FIG 3.</p>
---	---	---

<p>4. Measure and cut 1/2" BSP thread to the desired length (use fig 4 as reference).</p> <p>5A. After applying the appropriate sealer to the thread hand tighten Easy Fit Adaptor and thread together into the wingback.</p> <p>5B. Using a 12mm allen key, tighten the adaptor ensuring that the front face of the adaptor is <b>25mm</b> from the finished wall lining as shown (fig 4).</p> <p>25MM</p> <p>5B.</p> <p>FRONT OF WALL</p> <p>FIG 4.</p>	<p>FIG 5.</p> <p>6A.</p> <p>6A.</p> <p>GRUB SCREW 6B.</p> <p>6A. Fit face plate onto mixer and wall and then fit bath spout onto the Easy Fit Adaptor.</p> <p>6B. Align bath spout, screw and tighten grub screw when aligned.</p> <p>7. Fit handle onto mixer. Screw and tighten with grub screw</p> <p>8. Turn on water supply and check for leaks.</p>
---	---